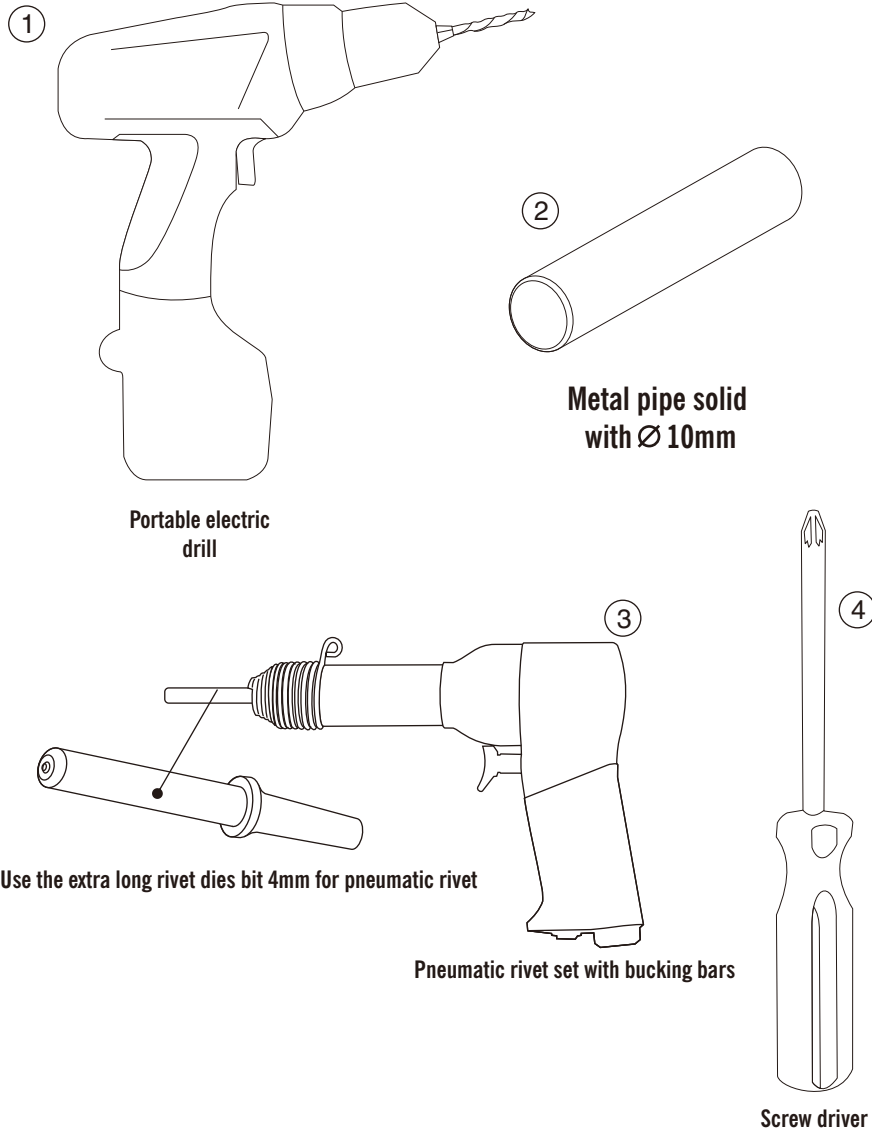
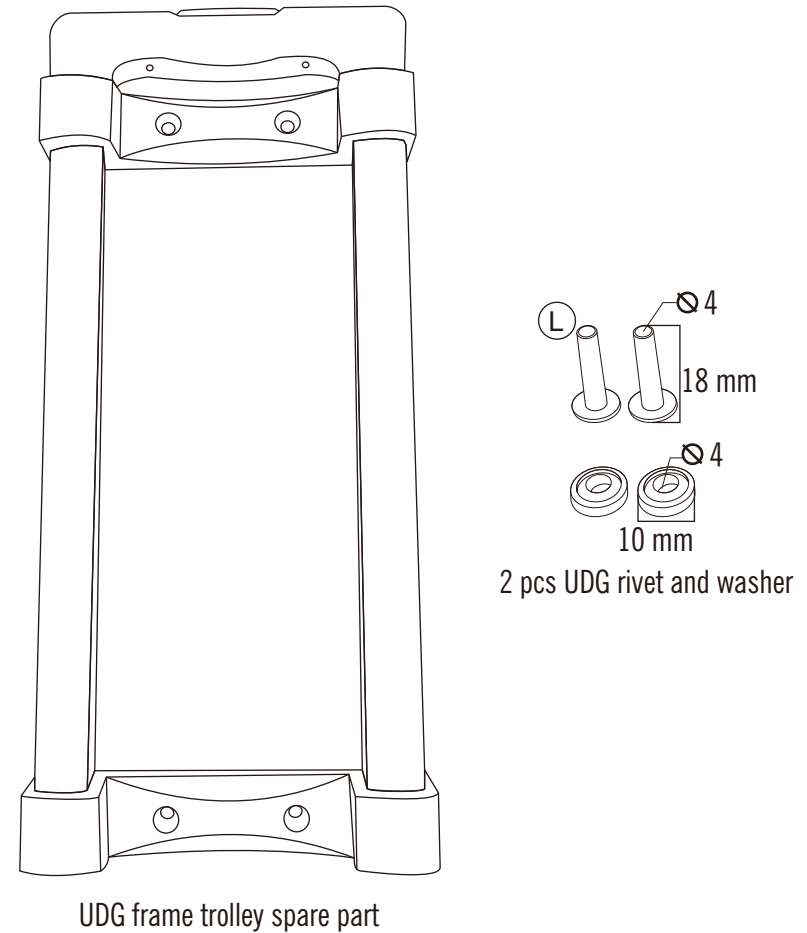


## Tools required



## Parts details



1 set package spare part UDG Frame Trolley + 2 pcs rivet and washer

<p>Drill the rivet ① ② using tool ①</p>	<p>Remove the screw ① ② ③ ④ turning anticlockwise with tool ④</p>	<p>Remove the used frame trolley</p>	<p>Insert the new frame trolley</p>	<p>Put 2 pcs rivet through inside the bag at the rear on bag on mid. section of frame</p>

<p>Put 2 pcs washer on each rivet inside the bag</p>	<p>Hold on each rivet outside the bag using tool ②</p>	<p>Punch on each rivet inside the bag using tool ③</p>	<p>Check on each rivet inside the bag until secure and tighten.</p>	<p>Tighten the screw ① ② ③ ④ turn clockwise with tool ④ make it secure and tight</p>